

Description

This loadcell is a center hole type that measure the axial force of rock bolt, earth anchor for material safety and causes search, and is also used for tie back and loading test etc.

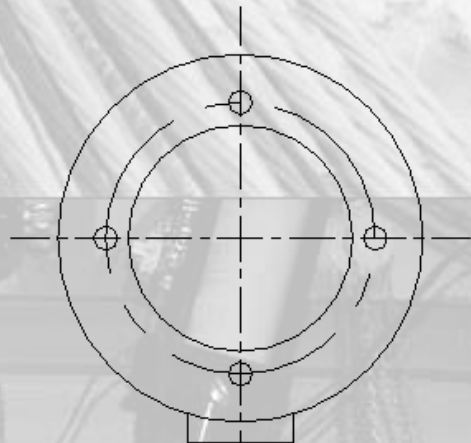
Feature

- Waterproof and dustproof
- High precision and stability by Electric resistance type
- Long measurement by strong durability and safety
- Easy installation by small size and light weight
- Easy connection with automatic measuring equipment
- Compensation of eccentric load by assistant ring



Specification

Type	ELC - □ □ □
Capacity	50tf ~ 500tf
Rated Output	Approx. 1~1.5mV/V
Non-linearity	1% RO
Hysteresis	1% RO
Safe Temperature Range	-10 ~ 60°C
Over Load	1.5
Resistance	350Ω or 700 Ω
Safe Exciting Voltage	10V
Electrical Connection	4Core Shield



Dimension

Type	A	B	C	∅D	∅E
ELC-50	132	136	80	100	122
ELC-100	180	120	30	100	150
ELC-200	184	180	110	151	175
ELC-300	217	228	130	180	206
ELC-500	274	318	160	235	265

