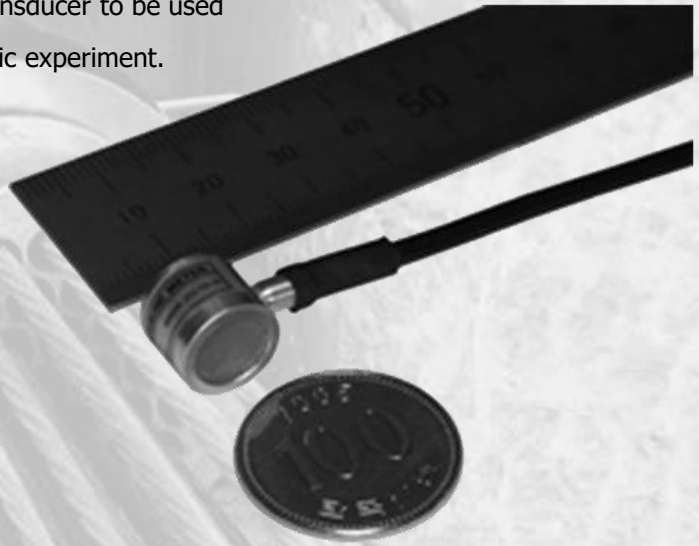


Description

MPP type pore pressure meter is a simulated testing transducer to be used for liquefaction test, centrifuge loading test and hydraulic experiment.

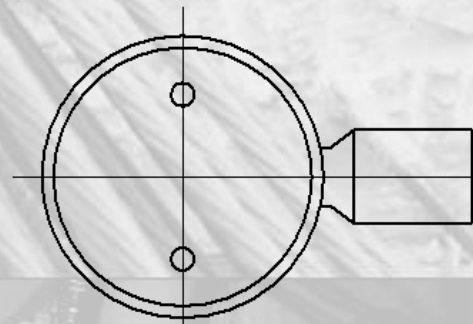
Feature

- Proper for simulation test by micromini and ultralight
- High precision and stability
- Waterproof and dustproof
- Easy connection with automatic measuring equipment



Specification

Type	MPP-□ □
Rated Capacity	2 ~ 20kgf/cm ²
Rated Output	Approx. 0.2~1mV/V
Non-linearity	1% RO
Hysteresis	1% RO
Temperature Range	0 ~ 60°C
Over Load	1.2
Resistance	350Ω
Allowable Exc. Voltage	5V
Electrical Connection	4Core Shield



Dimension

Type	ØA	B	C
MPP-2	12	11	18.5
MPP-5	12	11	18.5
MPP-10	12	11	18.5
MPP-20	12	11	18.5

